

# Port & Company® Cinch Pack BG85



A staple for everyday use as a cinch pack or backpack.

- 210 denier oxford nylon
- Dyed-to-match drawcord closures
- Reinforced bottom grommets
- Available in a rainbow of colors
- Dimensions: 16.5”h x 14.5”w

Note: Bags not intended for use by children 12 and under. Includes a California Prop 65 and social responsibility [hangtag](#).

## COLOR



Athletic Gold  
PMS 130 C



Black  
NTR Black C



Bright Lime  
PMS 7488 C



Bright Orange  
PMS 165 C



Brown  
PMS 7519 C



Carolina Blue  
PMS 646 C



Charcoal  
PMS 432 C



Hunter  
PMS 446 C



Kelly Green  
PMS 340 C



Light Pink  
PMS 487 C



Maroon  
PMS 504 C



Navy  
PMS 533 C



Purple  
PMS 7672 C



Red  
PMS 200 C



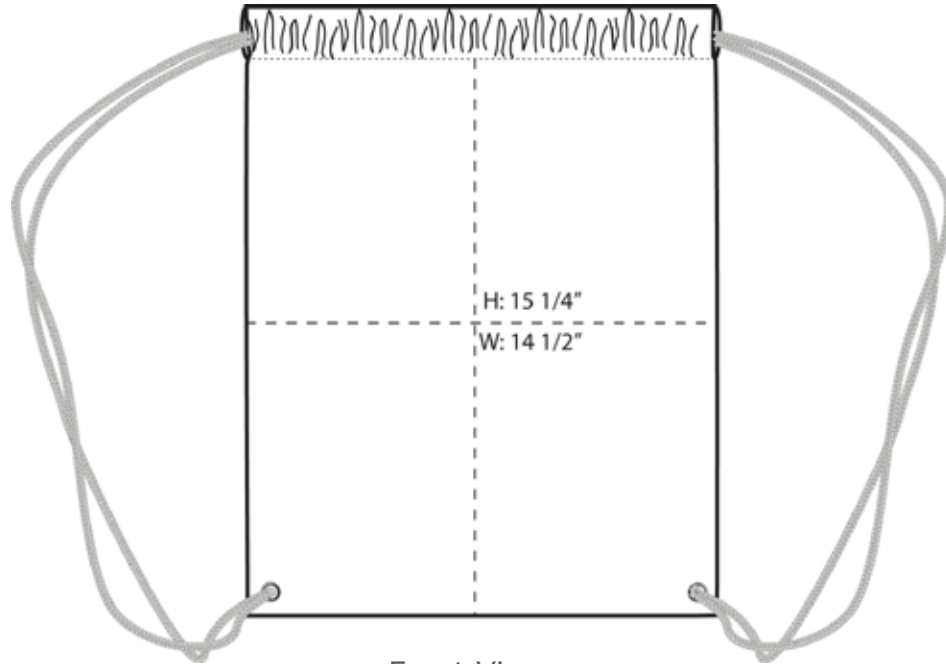
Royal  
PMS 7684 C



Tropical Pink  
PMS 205 C

**Port & Company® Cinch Pack BG85**

---



Front View

Note: Best graphic placement should be per the embellisher/screen printer recommendations.