

Port & Company® Extra-Wide Polypropylene Grocery Tote B160



This simple grocery tote features a square bottom to sit upright. Double-stitched seams and reinforced handles add durability.

- 100 gram, 100% polypropylene
- Self-fabric handles
- Dimensions: 15.5”h x 13”w x 10”d

*Due to the nature of polypropylene fabric, special care must be taken throughout the printing process. Heat transfer or screen printing are preferred decoration options.

Note: Bags not intended for use by children 12 and under. Includes a California Prop 65 and social responsibility [hangtag](#).

[Tips For Effectively Screen Printing Polypropylene Fabrics](#)

COLOR



Black
PMS BLACK 7 C



Lime
PMS 376 C



Navy
PMS 533 C

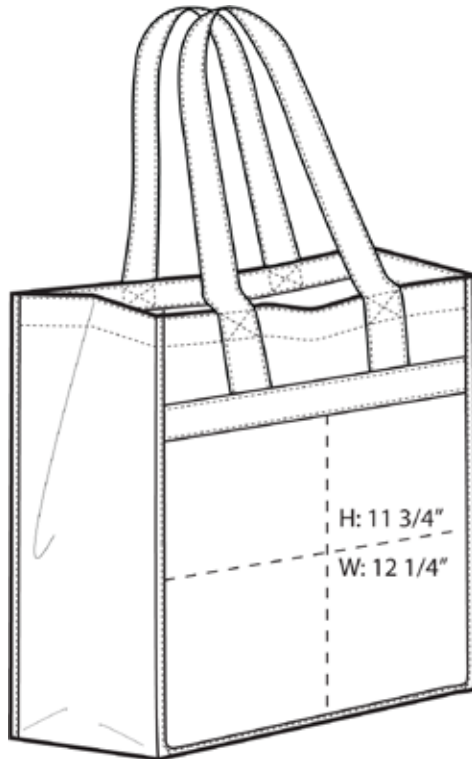


Red
PMS 1797 C

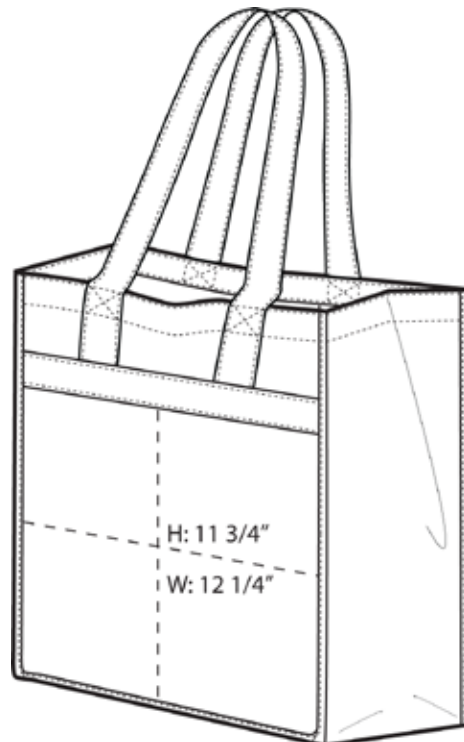


Royal
PMS 7687 C

Port & Company® Extra-Wide Polypropylene Grocery Tote B160



Front View



Back View

Note: Best graphic placement should be per the embellisher/screen printer recommendations.